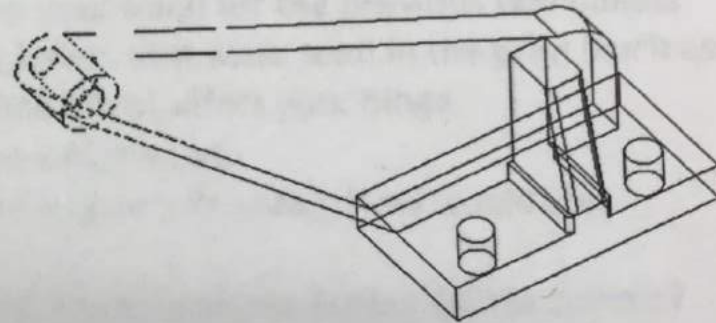
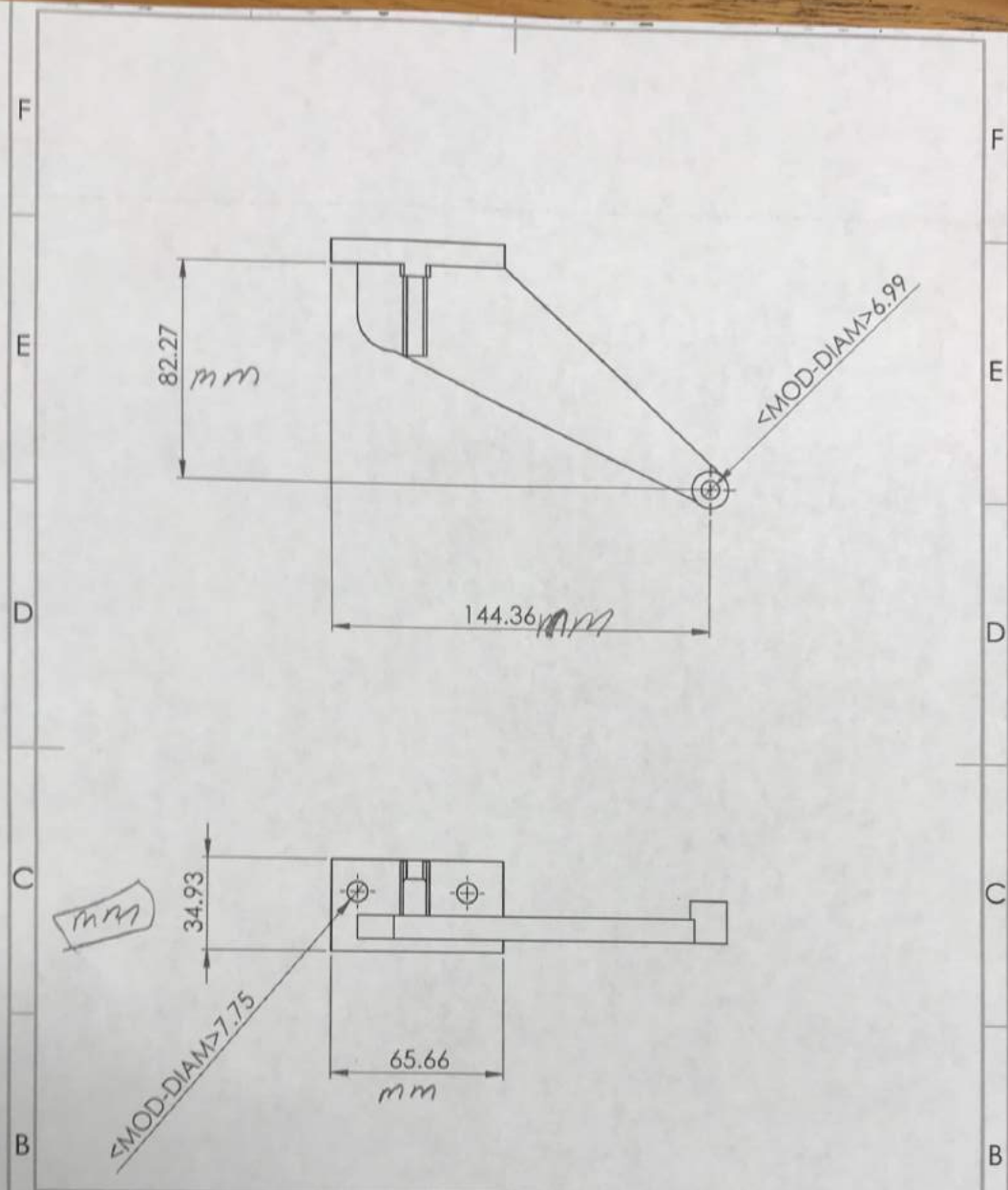


Assume these properties:

$$E = 2552 \text{ MPa}$$

$$UTS = 40 \text{ MPa}$$





UNLESS OTHERWISE SPECIFIED: DIMENSIONS ARE IN MILLIMETERS SURFACE FINISH: TOLERANCES: LINEAR: ANGULAR:				FINISH:	DEBURR AND BREAK SHARP EDGES	DO NOT SCALE DRAWING	REVISION
DRAWN				NAME	SIGNATURE	DATE	TITLE:
CHECKED							
APPROVED							
MFG							
Q.A							
				MATERIAL:		DWG. NO.	
				WEIGHT:		SCALE: 1:5	
						SHEET 1 OF 1	

Wk2 Capstone Drawing

A4

